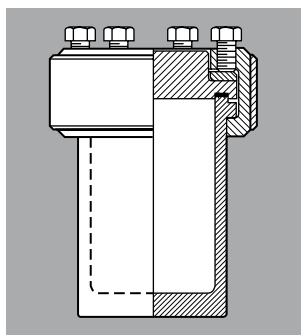




Series 4760-4777 General Purpose Vessels: 100 - 600 mL

Series 4760-4768 High Temperature Vessels: 300 - 600 mL



Cross Section 4760



4760 with plug and rupture disc assembly installed.



Model 4761, 300 mL Vessel with A281HC Adapter and A146VB Needle Valve.

Series 4760 - 4767 Pressure Vessel Specifications						
Shaded bar indicates specifications that change within series.						
General Purpose Vessels						
Model Number	4760(Q)*	4761(Q)*	4766(Q)*	4762(Q)*	4763(Q)*	4767(Q)*
Sizes, mL	300			450		
Maximum Pressure (MAWP)	3000 psi (200 bar)					
Maximum Temperature						
with FKM O-Ring	225 °C					
with PTFE - Flat Gasket	350 °C					
Heater						
Catalog Number / Wattage / Style	A2230HC / 400 / Mantle			A2230HC2 / 590 / Mantle		
High Temperature Vessels						
Model Number	4760HT	4761HT	4766HT	4762HT	4763HT	4767HT
Sizes, mL	300			450		
Maximum Pressure (MAWP)	2000 psi (137 bar)					
Maximum Temperature	500 °C with Grafoil Gasket					
Heater						
Catalog Number / Wattage / Style	A3240HC4 / 700 / Mantle					
Common to these General Purpose and High Temperature Models						
Closure	Split-Ring (6 Cap Screws)					
Head Style						
Opening	1/8" NPT w/plug	"A" Socket	VGR** & Thermowell	1/8" NPT w/plug	"A" Socket	VGR** & Thermowell
Thermowell	No	No	No / Yes	No	No	No / Yes
Mounting	Bench Top					
Maximum Head Openings	5					
Recommended Gage Block	4316					
Vessel Dimensions						
Inside Diameter, inches	2.5					
Inside Depth, inches	4.0			6.0		
Weight of Vessel, pounds	9			10		
*add the suffix Q to these catalog numbers to specify vessels with an O-Ring seal and a split ring pair without cap screws						
** VGR stands for Valve, Gage, and Rupture Disc						



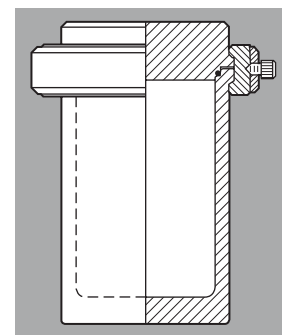
Series 4760-4777, continued Series 4760-4768, continued



Model 4766, VGR with PTFE Flat Gasket.



Model 4768Q, with VGR, Thermocouple and O-ring seal.



Cross Section 4760Q

Series 4764 - 4774 Pressure Vessel Specifications

Shaded bar indicates specifications that change within series.

General Purpose Vessels

Model Number	4764(Q)*	4765(Q)*	4768(Q)*	4772(Q)*	4773(Q)*	4774(Q)*	4775(Q)*	4776(Q)*	4777(Q)*
Sizes, mL	600			160			100		
Maximum Pressure (MAWP)	3000 psi (200 bar)								
Maximum Temperature									
with FKM O-Ring				225 °C					
with PTFE - Flat Gasket				350 °C					

Heater

Catalog Number / Wattage / Style	A2230HC3 / 400 / Mantle	A2235HC / 500 / Clamp-on	A2235HC / 500 / Clamp-on
----------------------------------	-------------------------	--------------------------	--------------------------

High Temperature Vessels

Model Number	4764HT	4765HT	4768HT	NA	NA
Sizes, mL	300			NA	NA
Maximum Pressure (MAWP)	2000 psi (137 bar)			NA	NA
Maximum Temperature					
with Grafoil Gasket	500 °C			NA	NA

Heater

Catalog Number / Wattage / Style	A3240HC5 / 700 / Mantle	NA	NA
----------------------------------	-------------------------	----	----

Common to these General Purpose and High Temperature Models

Closure	Split-Ring (6 Cap Screws)								
Head Style									
Opening	1/8" NPT w/plug	"A" Socket	VGR** & Thermowell	1/8" NPT w/plug	"A" Socket	VGR** & Thermowell	1/8" NPT w/plug	"A" Socket	VGR** & Thermowell
Thermowell	No	No	No / Yes	No	No	No / Yes	No	No	No / Yes
Mounting									
Bench Top									
Maximum Head Openings	5								
Recommended Gage Block	4316								
Vessel Dimensions									
Inside Diameter, inches	2.5								
Inside Depth, inches	8.0			2.0			2.0		
Weight of Vessel, pounds	11			7			2.0		

*add the suffix Q to these catalog numbers to specify vessels with an O-Ring seal and a split ring pair without cap screws

** VGR stands for Valve, Gage, and Rupture Disc